

Using technology
to change
the world

Professional Manufacturer
LED TUBE LIGHTING



Zhongshan Elly Lighting Technology Co.,Ltd.

Address: Blog. E, Tongyi Industrial Zone, 78 Tongshun Road,
Guzhen, Zhongshan, GD, China

Tel: +86-760-22389117

Fax: +86-760-22362200

www.ellyzm.com

The image features three white LED tube lights arranged diagonally from the top-left to the bottom-right. They are set against a dark blue background covered in numerous water droplets of various sizes, which are reflecting light and creating a textured, shimmering effect. The tube lights have a cylindrical shape with a slightly textured surface. The ends of the tubes are shown in detail, revealing internal components like pins and electrical contacts. The lighting is dramatic, highlighting the smooth curves of the tubes and the individual droplets on the surface.

Professional LED Tube
Manufacturer



About us

ELLY LIGHTING TECHNOLOGY CO., LTD is a professional manufacturer of LED Lighting products. We established in 2004 and dedicated in design, development, production and sales of LED TUBE and LED INTEGRATED TUBE products.

Manufacturing excellence and assuring the highest product standards is paramount and our efforts in upgrading our facility and our processes has been recognized with the awarding of the ISO9001.

R&D is our core power to keep us being innovative and productive. We are always able to fulfill our customers' requirement and provide products which can pass UL, ETL, DLC, Energy Star, SAA, C-Tick, LCP, TUV, CE, ERP, ROHS, etc.

Our modern state of manufacturing facility covers five thousand square meters plant, including SMT workshop, LED driver workshop, Assembling and Packing workshop. With more than 100 expert workers, automatic SMT machine, testing machine, laboratory, our monthly production capacity achieves above 50,000 pieces of LED tube products.

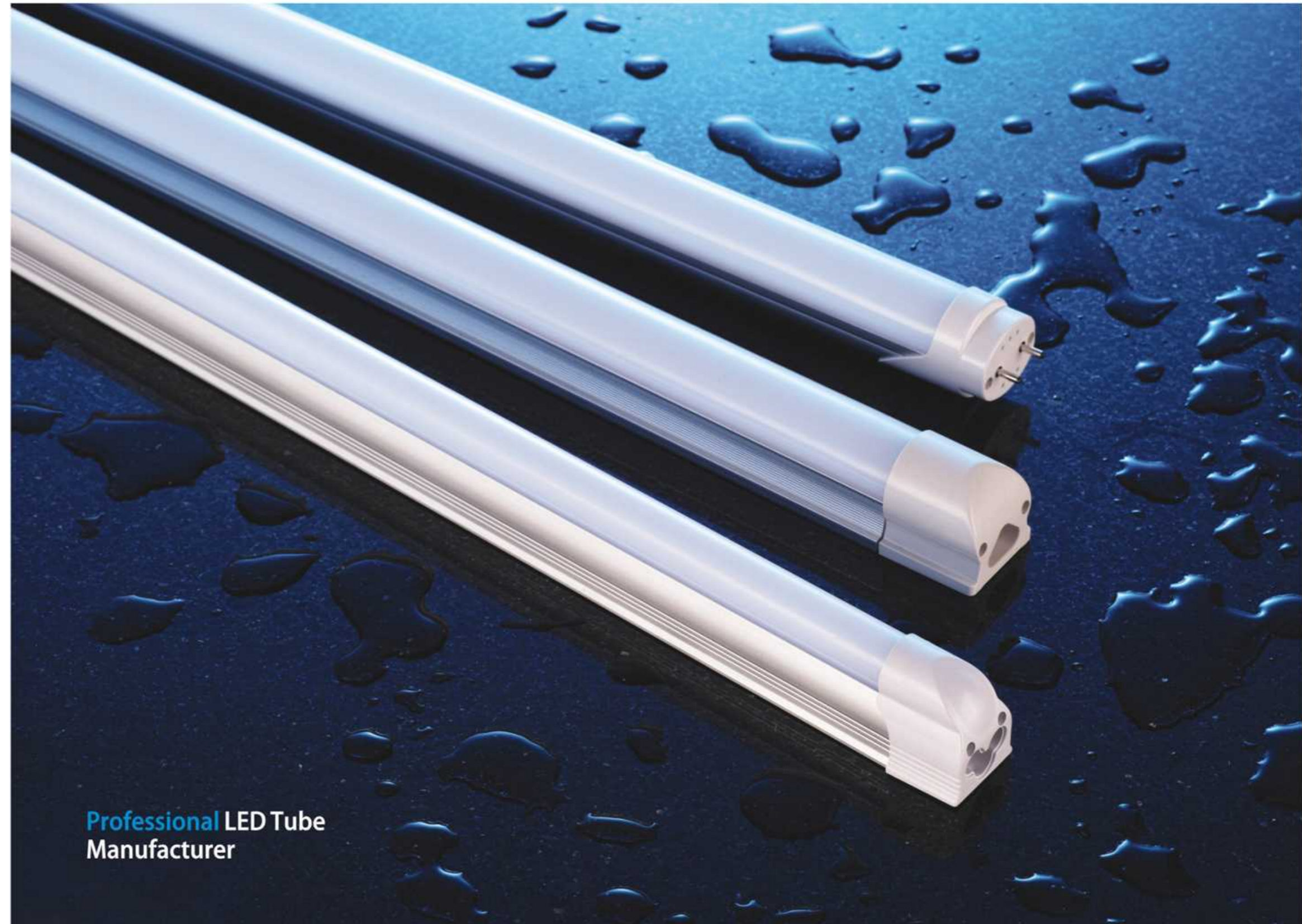
All of our drivers are designed and produced in-house, all products are demonstrated by our strict QC system. Each single piece of our product will be tested through a 24 hours aging test.

ELLY focus on LED Tube lighting since 2010, includes LED T8 Tubes, LED T8/T5 Integrated Tubes, etc. We successfully built up long-term relationship with our partners from North America, Europe, Australia, Asia and other areas all over the world. Our products are widely used in Office buildings, houses, and industrial areas.

ELLY Team sincerely welcomes your OEM/ODM requirements. We will always provide you excellent products and service with a competitive and reasonable cost.

Contents

- **Company profile** 01
- **Advanced Production Capacity** 05
- **T8 LED tube**
 - General description 07
 - Exploded view 09
 - Product detail 11
- **T8 Integrated LED tube**
 - General description 13
 - Exploded view 15
 - Product detail 17
- **T5 Integrated LED tube**
 - General description 19
 - Exploded view 21
 - Product detail 23



**Professional LED Tube
Manufacturer**

ELLY Advanced Production Capacity



Integrating Sphere



Temp & Humi Test Equipment



Automatic LED Tube Aging Testing Line



Driver Aging Test Line



ELLY Building



Reception



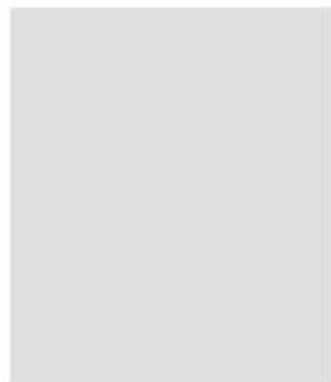
Office



Laboratory



Show room



SMT Machines



Reflow Oven



Plug-in Workshop



Assembling & Packaging Workshop



Warehouse



**Light
art life**
Science and technology

Professional LED Tube Manufacturer

T8 LED tube series

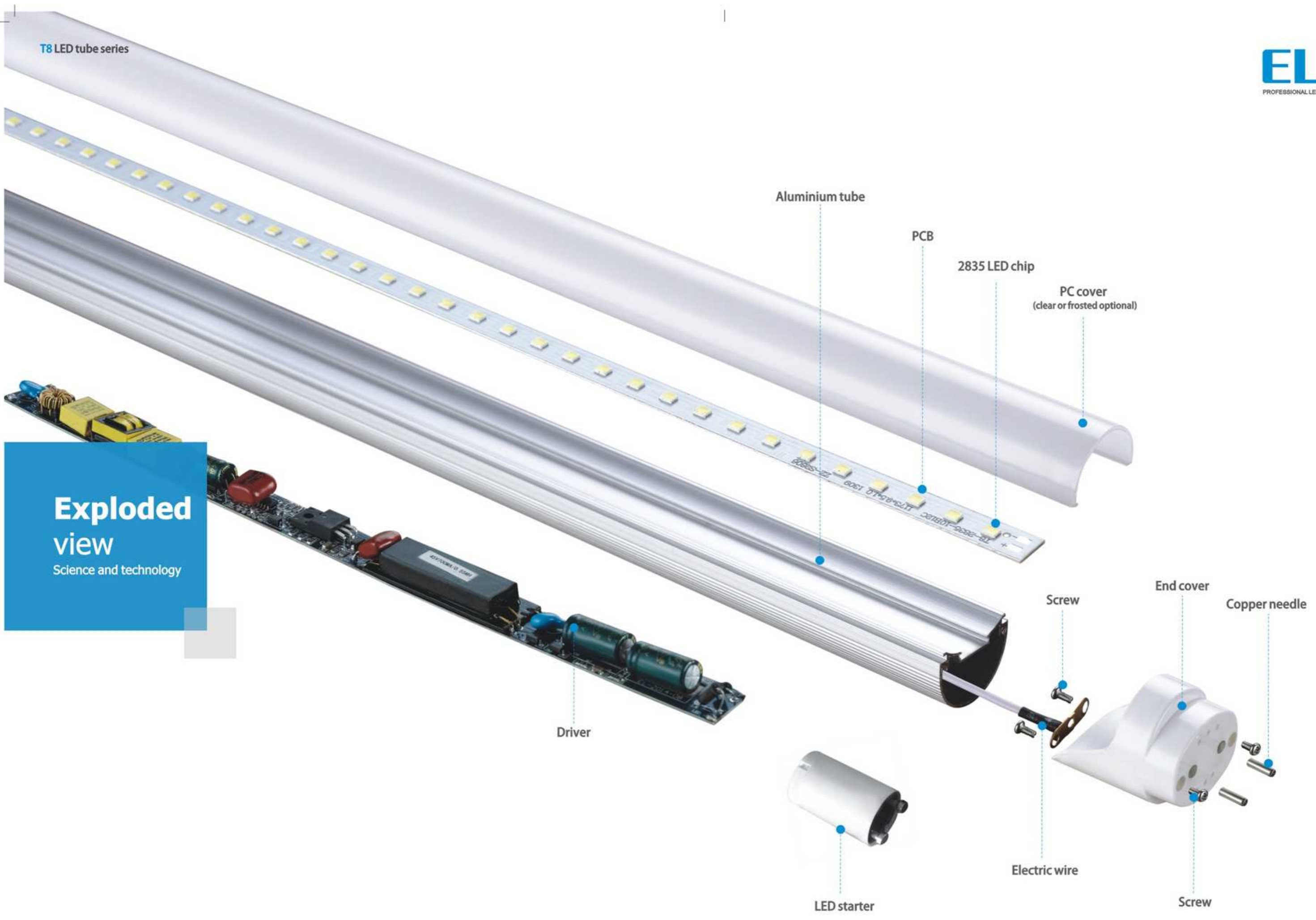
Equipped with SMD2835

Commercial lighting
Office, Supermarket, Hotel, Exhibition hall, ect

Public Lighting
Residence, Library, Hospitals, School,
MTR station, Train station, Bus station, Airport, etc.

Industrial Lighting
Factory, Warehouse, etc.

For more information please visit
www.ellyzm.com



Exploded view
Science and technology



Advantages

Using 1/2 aluminium pipe structure, good appearance, good heat dissipating capacity;
 Built-in isolating constant current driver, high efficiency, stability;
 Equipped with Lumenmax LED chip as light source, high light efficiency, long life span;
 Quick response time, the LED response time is nanosecond;
 Environmental protection, no heavy metals and harmful gas;
 Energy-saving, can save energy more than 80% than traditional fluorescent lights;
 No flicker, start quickly, soft light, protect your eyes;
 Easy to install and use.

Parameter

Model	Chip	Chip Qty (pc)	Power (W)	Voltage (V)	Power Factor	LM/W	Size (Ft/mm)	Plug	Internal Driver
EL-T8-0609	2835	66	9	AC100-265	>0.93	90	2/589* \varnothing 26	G13	Isolating
EL-T8-0913	2835	77	13	AC100-265	>0.93	90	3/893* \varnothing 26	G13	Isolating
EL-T8-1218	2835	120	18	AC100-265	>0.93	90	4/1198* \varnothing 26	G13	Isolating
EL-T8-1522	2835	132	22	AC100-265	>0.93	90	5/1498* \varnothing 26	G13	Isolating
EL-T8-1824	2835	144	24	AC100-265	>0.93	90	6/1763* \varnothing 26	G13	Isolating
EL-T8-2436	2835	240	36	AC100-265	>0.93	90	8/2374* \varnothing 26	G13	Isolating

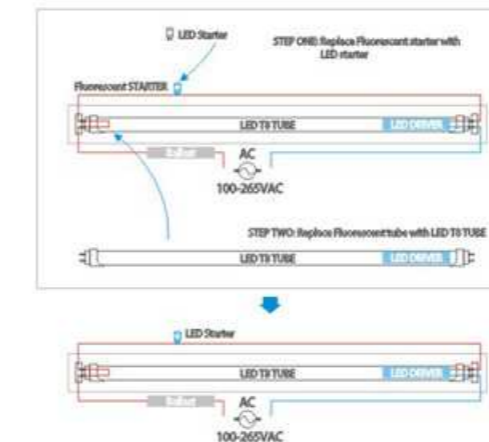
Temperature Characteristics T-ambient 25°

Temperature	Humidity
Operating -20 ~ +40 °C	Operating 10% ~ 80%
Storage -40 ~ +85 °C	Storage 10% ~ 80%

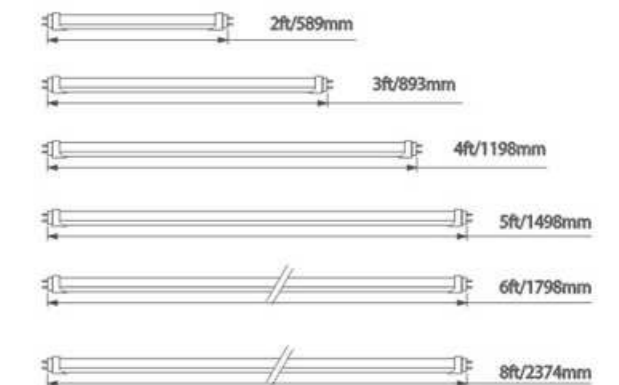
Electrical Characteristics

Input Voltage: AC100~265V 50/60Hz
 PF: \geq 0.93 THD < 20%
 Power Efficiency: \geq 0.87

Installation



Dimension



T8 LED tube series

Equipped with SMD2835



Professional LED Tube Manufacturer



**Light
art life**
Science and technology

Professional LED Tube Manufacturer

T8 Integrated LED tube series

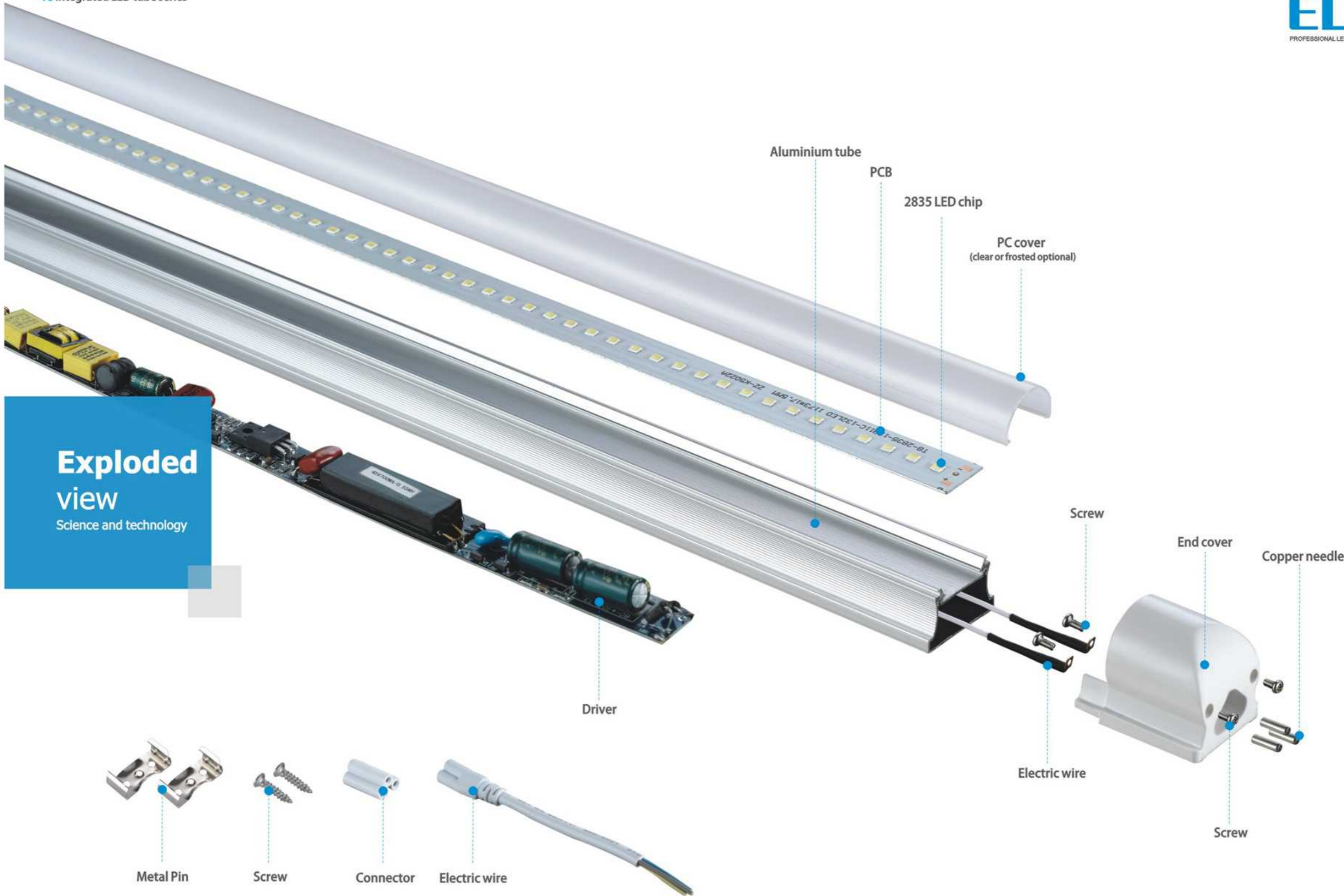
Equipped with SMD2835

Commercial lighting
Office, Supermarket, Hotel, Exhibition hall, ect

Public Lighting
Residence, Library, Hospitals, School,
MTR station, Train station, Bus station, Airport, etc.

Industrial Lighting
Factory, Warehouse, etc.

For more information please visit
www.ellyzm.com



Exploded view
Science and technology



T8 Integrated LED tube series

Equipped with SMD2835

Advantages

Fixture/batten integrated T8 LED tube can greatly saving installation labor cost;
 Quick installation and easy maintenance;
 Aluminium PCB, better heat dissipation;
 Maximum efficacy and minimum glare;
 High-tech optical design;
 Isolating driver inside.

Parameter

Model	Chip	Chip Qty (pc)	Power (W)	Voltage (V)	Power Factor	LM/W	Size (Ft/mm)	Internal Driver
EL-T8S-0609	2835	66	9	AC 100-265	>0.93	90	2/582	Isolating
EL-T8S-0913	2835	77	13	AC 100-265	>0.93	90	3/888	Isolating
EL-T8S-1218	2835	120	18	AC 100-265	>0.93	90	4/1192	Isolating
EL-T8S-1522	2835	132	22	AC 100-265	>0.93	90	5/1493	Isolating
EL-T8S-1824	2835	144	24	AC 100-265	>0.93	90	6/1755	Isolating
EL-T8S-2436	2835	240	36	AC 100-265	>0.93	90	8/2368	Isolating

Temperature Characteristics T-ambient 25°

Temperature	Humidity
Operating -20 ~ +40 °C	Operating 10% ~ 80%
Storage -40 ~ +85 °C	Storage 10% ~ 80%

Electrical Characteristics

Input Voltage: AC100~265V 50/60Hz
 PF: ≥0.93 THD < 20%
 Power Efficiency: ≥0.87

Installation

Power input



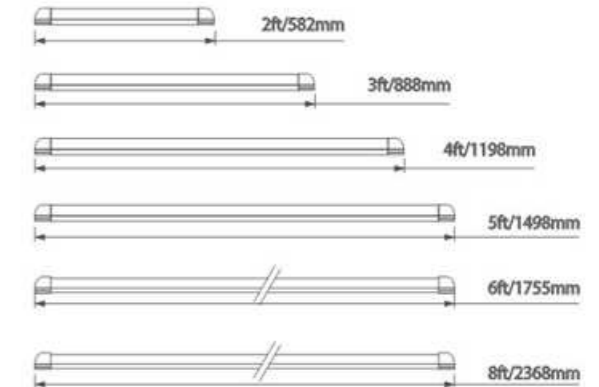
1 connection method



2 connection method



Dimension



Professional LED Tube Manufacturer



**Light
art life**
Science and technology

Professional LED Tube Manufacturer

T5 Integrated LED tube series

Equipped with SMD2835

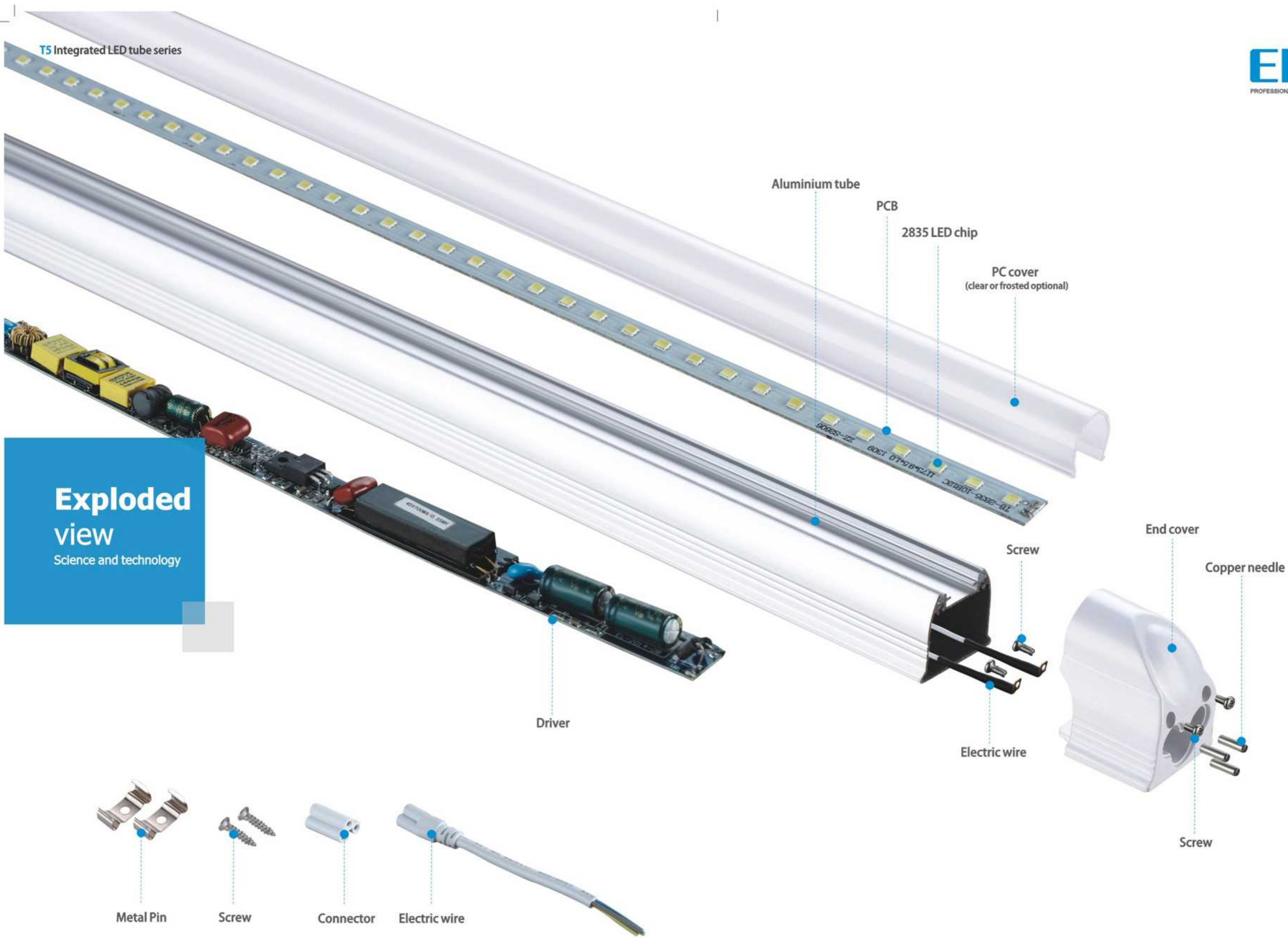
Commercial lighting
Office, Supermarket, Hotel, Exhibition hall, ect

Public Lighting
Residence, Library, Hospitals, School,
MTR station, Train station, Bus station, Airport, etc.

Industrial Lighting
Factory, Warehouse, etc.

For more information please visit
www.ellyzm.com

T5 Integrated LED tube series



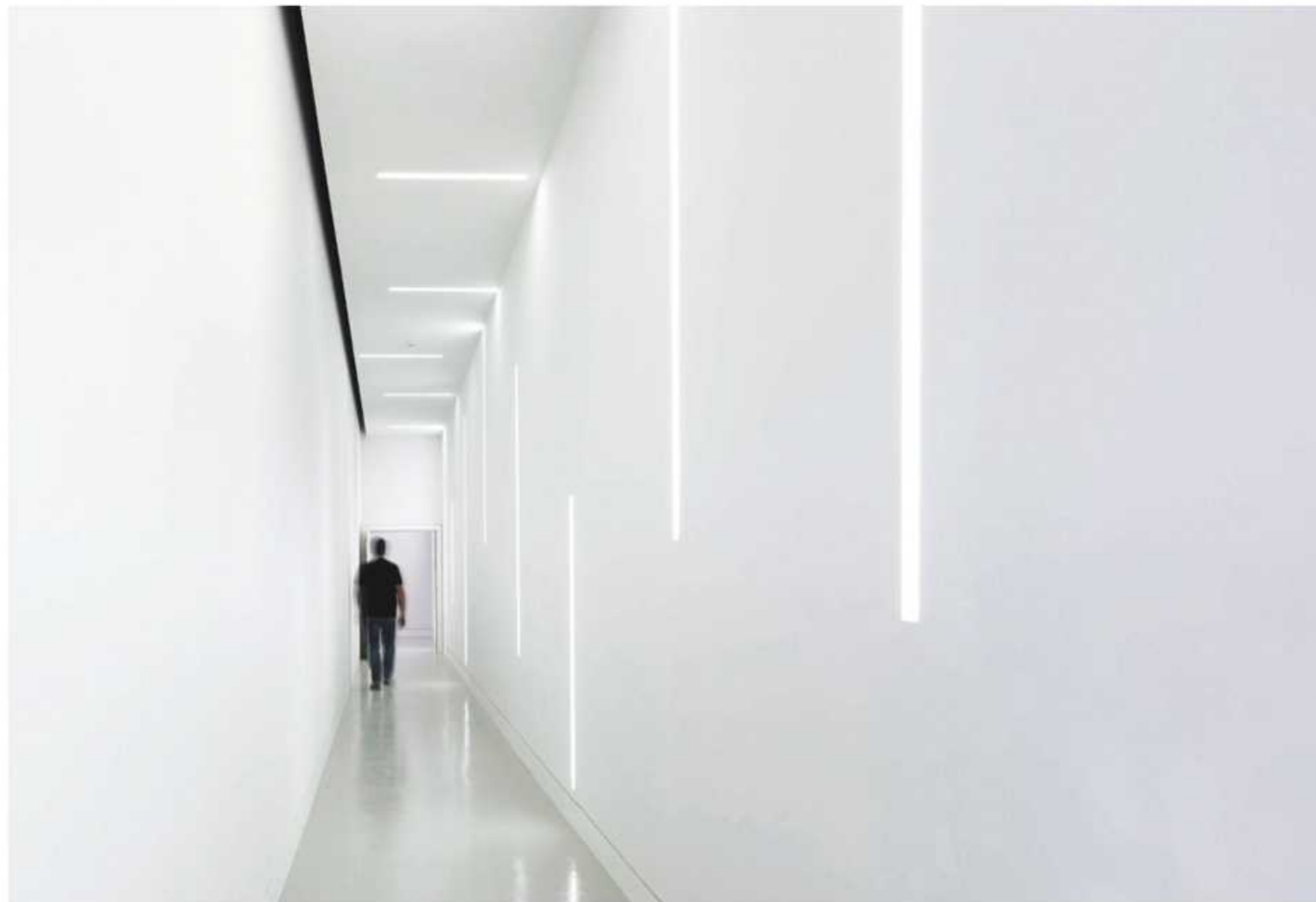
Exploded view

Science and technology



T5 Integrated LED tube series

Equipped with SMD2835



Professional LED Tube Manufacturer

Advantages

Fixture/batten integrated T5 LED tube can greatly saving installation labor cost;
 Quick installation and easy maintenance;
 Aluminium PCB, better heat dissipation;
 Maximum efficacy and minimum glare;
 High-tech optical design;
 Isolating driver inside.

Parameter

Model	Chip	Chip Qty (pc)	Power (W)	Voltage (V)	Power Factor	LM/W	Size (Ft/mm)	Internal Driver
EL-T5S-0304	2835	32	4	AC 100-265	>0.93	90	1/297	Isolating
EL-T5S-0609	2835	66	9	AC 100-265	>0.93	90	2/582	Isolating
EL-T5S-0913	2835	77	13	AC 100-265	>0.93	90	3/888	Isolating
EL-T5S-1218	2835	120	18	AC 100-265	>0.93	90	4/1192	Isolating
EL-T5S-1522	2835	132	22	AC 100-265	>0.93	90	5/1493	Isolating

Temperature Characteristics T-ambient 25°

Temperature	Humidity
Operating -20 ~ +40 °C	Operating 10% ~ 80%
Storage -40 ~ +85 °C	Storage 10% ~ 80%

Electrical Characteristics

Input Voltage: AC100~265V 50/60Hz
 PF: ≥0.93 THD < 20%
 Power Efficiency: ≥0.87

Installation

Power input



1 connection method



2 connection method



Dimension

